

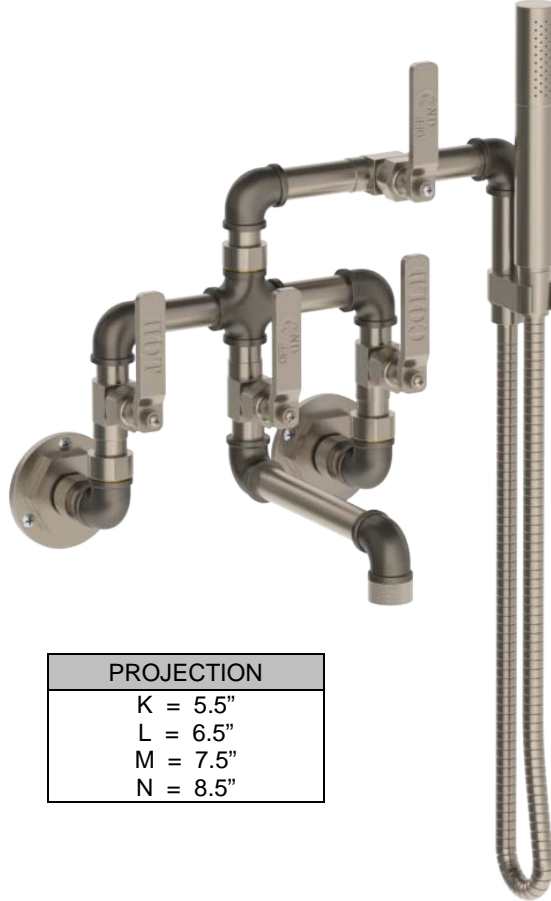
38-5.2- -EV4

Wall Mounted Exposed Bath Set with Hand Shower

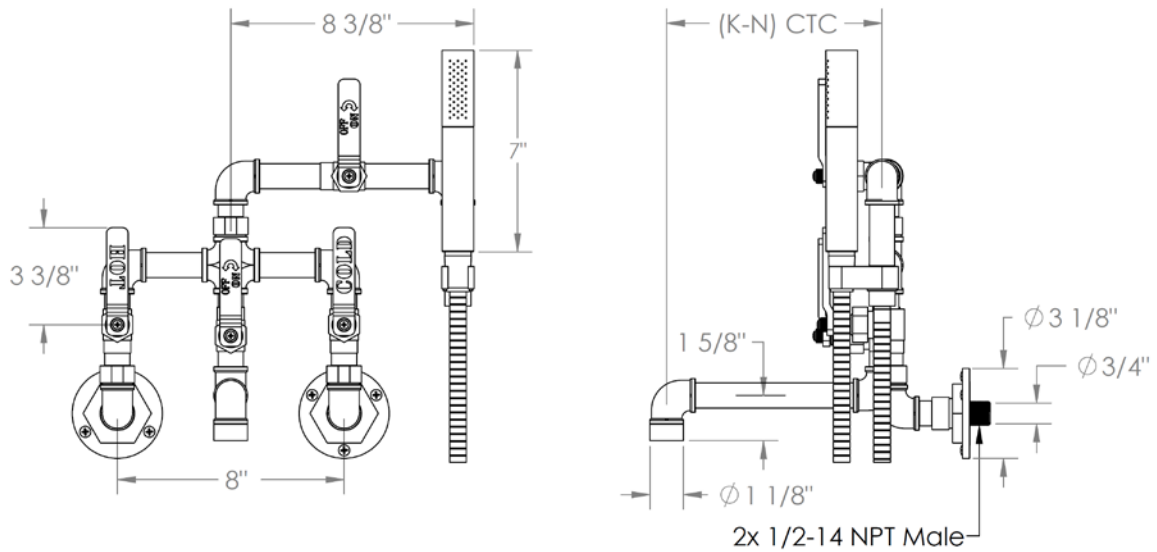
Hand Shower Flow Rate: 1.75 GPM

Note: Please specify (K-N)

Note: Some building codes may require a remote pressure balance valve for anti-scald



PROJECTION
K = 5.5"
L = 6.5"
M = 7.5"
N = 8.5"



Meets the applicable requirements of ASME A112.18.1-2005/CSA B125.1-05, entitled "Plumbing Supply Fittings"

WATERMARK DESIGNS 7/12/2018

350 Dewitt Ave Brooklyn NY 11207 USA T 718 257 2800 F 718 257 2144 info@watermark-designs.com