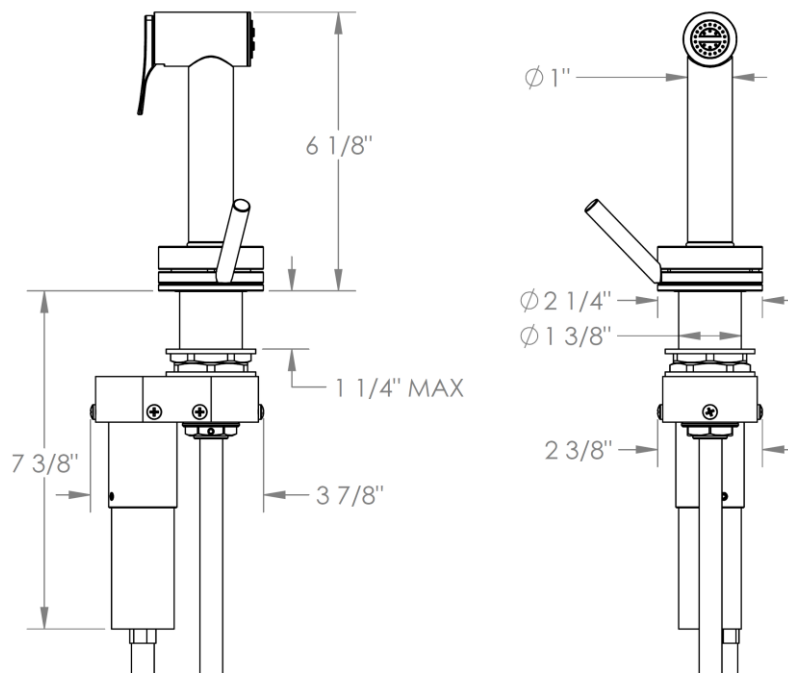


**MSA6.1**

**Independent Hand Spray**

Supply connections: 2x 1/2" NPS flex hose



Meets the applicable requirements of ASME A112.18.1-2005/CSA B125.1-05, entitled "Plumbing Supply Fittings"

**WATERMARK DESIGNS 10/9/2014**