

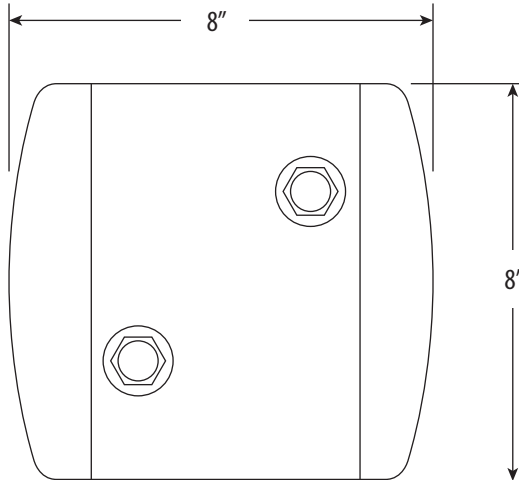
## DIGITAL HOT TANK

# 7000

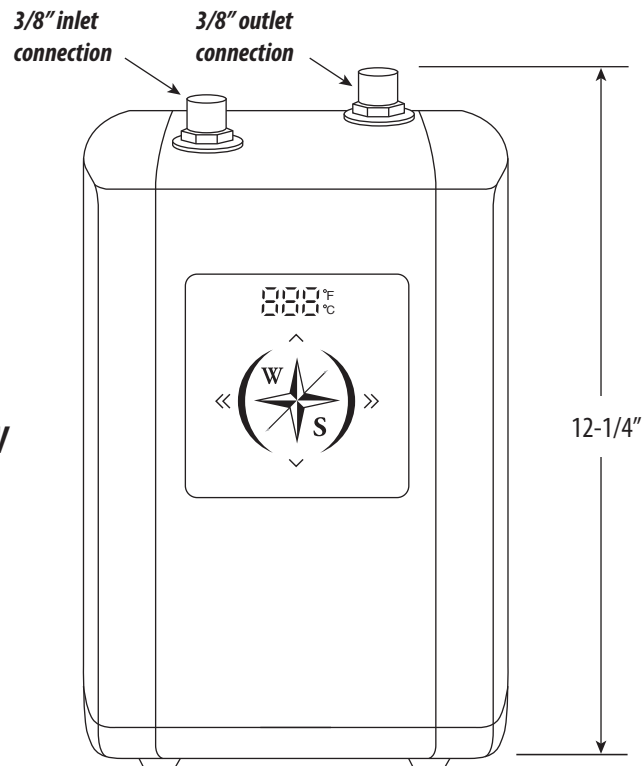
SPECIFIED MODEL MEETS OR EXCEEDS THE FOLLOWING:

- UL
- CSA

**TOP VIEW**



**FRONT VIEW**



*DIMENSIONS MAY VARY AND ARE SUBJECT TO CHANGE. NO RESPONSIBILITY IS ASSUMED FOR USE OF SUPERCEDED OR VOIDED DATA*